

PARTS MANUAL

**H800-900-1050HD,
H800-900-970-1050HDS
(A917)**

CUSTOMER EDITION

HYSTER

SECTIONS

1	FRAME
2	ENGINE ASSEMBLY
3	FUEL SYSTEM
4	ELECTRICAL SYSTEM
5	TRANSMISSION
6	DRIVE AXLE
7	STEERING SYSTEM
8	BRAKE SYSTEM
9	HYDRAULIC SYSTEM
10	ATTACHMENTS
11	OPTIONS
12	FIELD CONVERSION KITS
13	NUMERICAL INDEX

This Parts Manual is divided into 13 major sections which are listed above. Quick reference to these sections can be made by placing the right thumb on the tab of the desired section, bending the book back and thumbing the pages to the corresponding tab.

**Thanks very much for your reading,
Want to get more information,
Please click here, Then get the complete
manual**

JustClickHere 

NOTE:

**If there is no response to click on the link above,
please download the PDF document first, and then
click on it.**

**Have any questions please write to me:
admin@servicemanualperfect.com**

TABLE OF CONTENTS

DESCRIPTION	Numbers/Symbols	PAGE
3-POINT SEAT BELT		11-32
A		
ACCESSORY DRIVE PULLEY		
→ S/N A917E01548F		2-7
S/N A917E01549F →		2-8
ACCUMULATOR		
BRAKE		9-38
LIFT		9-35
AIR CLEANER PLUMBING		2-40
AIR COMPRESSOR INTAKE CONNECTOR		2-54
AIR CONDITIONER		
CLIMATE CONTROL CAB - MCC		1-146
AIR CONDITIONER ASSEMBLY		
AURORA (→ S/N A917E01504E)		1-100
WITH TWO-FAN CONDENSER SYSTEM - MCC		1-122
AIR CONDITIONER CONTROL PANEL		4-20
AIR CONDITIONER SYSTEM		
CLIMATE CONTROL CAB - MCC		1-144
WITH TWO-FAN CONDENSER SYSTEM - MCC		1-120
AIR CONDITIONER SYSTEM ASSEMBLY		
WITH TWO-FAN CONDENSER SYSTEM - MCC		1-118
AIR DUCT		
LOUVER, CLIMATE CONTROL CAB		1-138
AIR DUCT ASSEMBLY		
AIR CONDITIONING - MCC		1-124
HEATER - WITH TWO-FAN CONDENSER SYSTEM, MCC		1-112
AIR FILTER ASSEMBLY		
H1050HD (→ S/N A917E01504E)		3-30
H1050HD (S/N A917E01505E →)		3-31
H800HD, H900HD, H970HDS, H1050HDS		3-34
AIR FILTER SYSTEM		3-28
H800HD, H900HD, H970HDS, H1050HDS		3-32
AIR HORN		
→ S/N A917E01563G		1-132
S/N A917E01564G →		1-134
AIR TRANSFER CONNECTION		2-41
ALTERNATOR		4-30
ALTERNATOR DRIVE PULLEY		4-36
ALTERNATOR MOUNTING		4-32
ARMREST ASSEMBLY		
HYDRAULIC LEVERS		1-88
JOYSTICK		1-90
ARMREST SWITCHES		
HYDRAULIC LEVERS		4-22
JOYSTICK		4-23
AXLE HOUSING		6-2

TABLE OF CONTENTS (continued)

DESCRIPTION	PAGE
B	
BRAKE AND INCHING PEDAL LINKAGE	8-8
BRAKE ASSEMBLY	
SERVICE BRAKES (S/N A917E01502D → (TE-27)) (S/N A917E01505E → (TE-32))	8-6
BRAKE SYSTEM	8-2
BRAKE TEMPERATURE SWITCH	12-2
BRAKE VALVE AND ATTACHING PARTS	8-10
ALTERNATE CONFIGURATION	8-12
BREATHER PLUMBING	2-42
BUMPERS	10-60
C	
CAB	
MAIN DOOR WINDOW - RIGHT AND LEFT HAND	1-34
CAB AND ATTACHING PARTS	1-36
CAB ASSEMBLY	
CLIMATE CONTROL CAB	1-148
CAB DASH AND AIR DUCT ASSEMBLY	1-42
CAB DOOR	
LEFT HAND (→ S/N A917E01548F)	1-30
LEFT HAND (S/N A917E01549F →)	1-32
RIGHT HAND (→ S/N A917E01548F)	1-26
RIGHT HAND (S/N A917E01549F →)	1-28
CAB DOOR ATTACHING PARTS	1-38
CAB FLOORMATS	1-55
CAB MOUNTING AND TILT	1-156
CAB PANELS	1-48
CAB RECIRCULATING FAN	1-56
CAB SOUND REDUCTION	1-54
CAB SUNSHADE	
REAR	1-52
TOP	1-50
CAB TILT ELECTRIC PUMP	1-152
CAB WINDOWS INSTALLATION	1-40
CAM FOLLOWER LEVERS	2-16
CAMSHAFT	2-15
CARRIAGE ASSEMBLY	
SIDE-SHIFT	10-22
STANDARD	10-20
CARRIAGE HYDRAULICS	
SIDE-SHIFT	10-28
STANDARD	10-26
CLIMATE CONTROL SYSTEM	
MCC	1-142
COMPRESSOR MOUNTING	
S/N A917E01549F →	2-52
CONDENSER	
TWO-FAN SYSTEM - MCC	1-114

TABLE OF CONTENTS (continued)

DESCRIPTION	PAGE
CONDENSER SYSTEM	
WITH TWO-FAN CONDENSER - MCC	1-116
CONTROL PANEL ASSEMBLY	
WITH TWO-FAN CONDENSER SYSTEM - MCC	1-126
COOLANT HEATER STARTING AID	2-43
COOLING SYSTEM	2-96
CORROSION RESISTOR	2-80
COUNTERWEIGHT	1-22
COVERS	
H1050HD (→ S/N A917E01578H)	1-4
H1050HD (S/N A917E01579H →)	1-6
H800HD, H900HD, H970HDS, H1050HDS (→ S/N A917E01578H)	1-10
H800HD, H900HD, H970HDS, H1050HDS (S/N A917E01579H →)	1-12
CRANKSHAFT	2-35
CRANKSHAFT AND MAIN BEARINGS	2-36
OPTIONAL	2-38
CYLINDER BLOCK	2-26
CYLINDER BLOCK PLUMBING	2-33
CYLINDER HEAD	2-24
CYLINDER LINER	2-28
D	
DC-DC CONVERTER AND ATTACHING PARTS	4-8
DELUXE SUSPENSION SEAT	1-62
DIFFERENTIAL AND CARRIER	6-4
ALTERNATE PART	6-8
DRIVE AXLE CONVERSION KIT	
DRIVE TIRES AND WHEELS	
18.00 X 33	11-26
DUST SHIELD	1-16
E	
ELECTRIC HORN	4-175
ELECTRICAL ACCESSORIES	4-26
ELECTRICAL SYSTEM	4-4
EMPTY SEAT ENGINE SHUTDOWN	
3/2010 →	11-29
EMPTY SEAT ENGINE SHUTDOWN OVERRIDE	12-2
ENGINE ASSEMBLY	2-6
ENGINE BLOCK HEATER 240V	
S/N A917E01572H →	11-30
ENGINE COMPARTMENT AND STAIR LIGHTS	11-14
ENGINE CONTROL SYSTEM	4-24
ENGINE MOUNTS	2-4
EXHAUST MANIFOLDS	2-86
EXHAUST OUTLET CONNECTION	2-88
EXHAUST SYSTEM	2-94
F	
FAN DRIVE AND SPACER	2-20

TABLE OF CONTENTS (continued)

DESCRIPTION	PAGE
FLOORPLATES, STEPS, AND RAILS	
H1050HD	1-18
H800HD, H900HD, H970HDS, H1050HDS	1-20
FLOW AMPLIFIER AND ATTACHING PARTS	9-66
FLYWHEEL	2-56
FLYWHEEL HOUSING	2-58
FORK MOUNTED CONTAINER HANDLER	10-56
FORK MOUNTED CONTAINER HANDLER INSTALLATION	10-58
FORK POSITIONER	
SIDE-SHIFT CARRIAGE	10-14
STANDARD CARRIAGE	10-16
FORK POSITIONING CYLINDER	10-18
FORKS	10-12
FRONT DRIVE TRAIN	2-55
FRONT ENGINE SUPPORT	2-90
FRONT GEAR COVER	2-72
FRONT LIGHTS	11-16
FUEL FILTER AND WATER SEPARATOR	3-24
FUEL FILTER PLUMBING	3-22
FUEL INJECTOR	3-20
FUEL PUMP ASSEMBLY	3-14
FUEL PUMP COUPLING	3-16
FUEL PUMP DRIVE	3-10
FUEL PUMP INTAKE FITTING	3-12
FUEL PUMP PLUMBING	3-18
FUEL SYSTEM	
H1050HD (→ S/N A917E01551F)	3-6
H1050HD (S/N A917E01552F →)	3-8
H800HD, H900HD, H970HDS, H1050HDS (→ S/N A917E01551F)	3-2
H800HD, H900HD, H970HDS, H1050HDS (S/N A917E01552F →)	3-4
FUSE BOX	4-39
G	
GEAR HOUSING	2-70
H	
HAND HOLE COVER	
S/N A917E01549F →	2-92
HAND LEVER INSTALLATION	
FORKLIFT TRUCK AND CONTAINER HANDLER	9-78
HAND PUMP	
CAB TILT	1-154
HEADER HOSES	
4267 MM, 7010 MM, 8534 MM LIFT HEIGHTS (→ S/N A917E01542F)	10-32
4267 MM, 7010 MM, 8534 MM LIFT HEIGHTS (S/N A917E01543F →)	10-36
9144 MM, 9754 MM, 12650 MM LIFT HEIGHTS (→ S/N A917E01542F)	10-40
9144 MM, 9754 MM, 12650 MM LIFT HEIGHTS (S/N A917E01543F →)	10-44
HEATED TOP WINDOW	
CLIMATE CONTROL CAB	11-28

TABLE OF CONTENTS (continued)

DESCRIPTION	PAGE
HEATER AND AIR CONDITIONER ASSEMBLY WITH THREE-FAN CONDENSER SYSTEM - AURORA	1-104
HEATER AND AIR CONDITIONER HOSES → S/N A917E01502D	1-94
S/N A917E01503D ↔ 7/2008	1-96
7/2008 →	1-98
HEATER AND AIR CONDITIONER MOUNTING WITH THREE-FAN CONDENSER SYSTEM - AURORA	1-106
HEATER AND AIR DUCT ASSEMBLY WITH TWO-FAN CONDENSER SYSTEM - MCC	1-108
HEATER ASSEMBLY WITH THREE-FAN CONDENSER SYSTEM - AURORA	1-102
WITH TWO-FAN CONDENSER SYSTEM - MCC	1-110
HEATER CONTROL PANEL	4-18
HEATER SYSTEM WITH TWO-FAN CONDENSER SYSTEM - MCC	1-109
HUB AND SHAFT → 10/2010	6-12
10/2010 →	6-16
HYDRAULIC ATTACHMENT STOPS	10-59
HYDRAULIC CONTROL VALVE ATTACHING PARTS	9-32
AUXILIARY SECTION ASSEMBLY	9-24
CAP AND SUPPORT KIT	9-30
LIFT AND TILT SECTION ASSEMBLY	9-28
LIFT SECTION ASSEMBLY	9-26
HYDRAULIC CONTROLS MOUNTING	9-18
HYDRAULIC HOSE ASSEMBLY	9-74
HYDRAULIC PUMP MAIN	9-62
HYDRAULIC SUPPLY AND RETURN SHEET 1 OF 5	9-4
SHEET 2 OF 5	9-6
SHEET 3 OF 5	9-10
SHEET 4 OF 5 (→ 11/2009)	9-12
SHEET 4 OF 5 (11/2009 →)	9-14
SHEET 5 OF 5	9-16
HYDRAULIC TANK AND ATTACHING PARTS	9-20
I	
IDLER GEAR	2-22
INDICATOR DISPLAY AND CONTROLS	4-16
INSULATION MATS AND AIR DUCT CLIMATE CONTROL CAB	1-136
INTAKE MANIFOLD	2-84
J	
JOYSTICK ASSEMBLY	9-72

TABLE OF CONTENTS (continued)

DESCRIPTION	PAGE
JOYSTICK INSTALLATION	
CONTAINER HANDLER	9-70
FORKLIFT TRUCK	9-68
L	
LABELS	
EXTERIOR	1-128
INTERIOR	1-130
LIFT CYLINDER	
MAST - 4267 MM, 8534 MM, 9144 MM LIFT HEIGHTS	10-48
MAST - 7010 MM AND 9754 MM LIFT HEIGHTS	10-50
MAST - 12650 MM LIFT HEIGHT	10-52
LIFTING BRACKET	2-9
LIGHT BAR AND MOUNT	
TWISTLOCK MODULE	4-34
LIGHT SWITCHES	4-11
LOUVER - HEAVY DUTY AIRCO	12-2
M	
MAIN MANIFOLD	
→ 4/2010	9-40
4/2010 ↔ S/N A917E01585J	9-42
MAIN MANIFOLD AND ATTACHING PARTS	
→ S/N A917E01585J	9-44
S/N A917E01586J →	9-46
MAIN MANIFOLD ASSEMBLY	
PAGE 1 OF 2 (S/N A917E01586J →)	9-48
PAGE 2 OF 2 (S/N A917E01586J →)	9-50
MANIFOLD	
BRAKE	9-60
CAB	9-56
CAB - ATTACHING PARTS	9-58
LIFT AND TILT	9-52
LIFT AND TILT - ATTACHING PARTS	9-54
MAP LIGHT	4-10
MAST	
4267 MM, 7010 MM, 8534 MM LIFT HEIGHTS	10-4
9144 MM, 9754 MM, 12650 MM LIFT HEIGHTS	10-8
MAST HOSE SHEAVE KIT	12-2
MAST INSTALLATION	10-2
N	
NOISE PANEL	2-89
O	
OIL COOLER WATER PLUMBING	2-65
OIL FILLER	2-62
OIL FILTER	2-64
OIL FILTER AND COOLER HEAD	2-60
OIL LEVEL GAUGE	2-63

TABLE OF CONTENTS (continued)

DESCRIPTION	PAGE
OIL PAN	
→ S/N A917E01514E (300 HP ENGINE) → S/N A917E01522E (335 HP ENGINE)	2-74
S/N A917E01515E → (300 HP ENGINE) S/N A917E01523E → (335 HP ENGINE)	2-76
OIL PUMP AND ATTACHING PARTS	2-78
OPTIONAL MOUNTING EQUIPMENT (HANDLE)	11-2
OVERHEAD GUARD	
WIRE MESH	1-24
P	
PARK BRAKE ASSEMBLY	6-20
PARK BRAKE KIT	12-3
PILOT VALVE ASSEMBLY	
JOYSTICK	9-76
PISTON AND CONNECTING ROD	2-30
PISTON COOLING NOZZLE	2-32
PIVOT ARM ASSEMBLY	1-92
R	
RADIATOR ASSEMBLY	2-98
RADIATOR PLUMBING	2-82
RADIO CONSOLE AND ATTACHING PARTS	1-160
RELAYS AND FUSES	
→ S/N A917E01501D	4-40
S/N A917E01502D ↔ 2/2008	4-44
2/2008 ↔ 3/2010	4-48
3/2010 →	4-52
ROCKER LEVERS	2-18
S	
SEAT AND SUSPENSION MOUNTING	1-78
SEAT ASSEMBLY	
CLIMATE CONTROL CAB	1-140
WITH FABRIC COVER (→ 3/2010)	1-66
WITH FABRIC COVER (3/2010 →)	1-70
WITH VINYL COVER	1-74
SEAT SUSPENSION ASSEMBLY	
AIR	1-84
MECHANICAL	1-80
SECOND 12V SOCKET OPTION	
CLIMATE CONTROL CAB	4-174
SECONDARY HYDRAULIC PUMP	
STEERING	9-64
SIDE-SHIFT CYLINDER ASSEMBLY	10-54
SOLENOID VALVE ASSEMBLY	9-84
SOUND REDUCTION	
5385WB (→ S/N A917E01578H)	11-4
5385WB (S/N A917E01579H →)	11-6
5900WB (→ S/N A917E01578H)	11-8
5900WB (S/N A917E01579H →)	11-10
START AID	4-173

TABLE OF CONTENTS (continued)

DESCRIPTION	PAGE
STARTER MOTOR	
→ S/N A917E01548F	4-37
S/N A917E01549F →	4-38
STEER AXLE AND ATTACHING PARTS	7-2
STEER AXLE ASSEMBLY	7-4
STEER COLUMN ASSEMBLY	7-10
STEER CYLINDER	
→ S/N A917E01587J	7-6
S/N A917E01588J →	7-7
STEERING COLUMN	7-12
STEERING COLUMN AND ATTACHING PARTS	7-8
STEERING CONTROL UNIT	7-14
STEERING CONTROL VALVE	7-16
STROBE LIGHT	
WITH AIR CONDITIONING	11-19
WITHOUT AIR CONDITIONING	11-18
SUSPENSION KIT ASSEMBLY	1-64
T	
TAIL LIGHTS AND BACK-UP ALARM	11-20
TELEMETRY KITS	12-3
THERMOSTAT	2-14
THERMOSTAT HOUSING	2-12
THROTTLE PEDAL LINKAGE	3-26
TILT CYLINDER	
CAB	1-60
TILT CYLINDER AND ATTACHING PARTS	9-82
TILT PLATFORM ASSEMBLY	
H1050HD	1-57
H800HD, H900HD, H970HDS, H1050HDS	1-58
TIRES AND WHEELS	
DRIVE - 18.00 X 25	11-22
STEER - 16.00 X 25 AND 18.00 X 25	11-24
TRAINING SEAT	1-150
TRANSMISSION	
ASSEMBLY	5-18
CASE AND REAR COVER	5-26
CONTROL VALVE ASSEMBLY	5-58
CONTROL VALVE MOUNTING	5-56
FIRST SPEED CLUTCH SHAFT	5-36
FIRST SPEED GEARS	5-34
FIRST SPEED SHAFT AND IDLER GEAR	5-35
FORWARD CLUTCH SHAFT	5-30
FORWARD, REVERSE AND SECOND, - AND THIRD OR FOURTH CLUTCH SHAFTS	5-29
FOURTH SPEED CLUTCH SHAFT	5-44
INPUT DRIVE GEARS	5-22
LINES AND ATTACHING PARTS - H1050HD (→ S/N A917E01564G)	5-2
LINES AND ATTACHING PARTS - H1050HD (S/N A917E01565G →)	5-6

TABLE OF CONTENTS (continued)

DESCRIPTION	PAGE
LINES AND ATTACHING PARTS - H800HD, H900HD, H970HDS, H1050HDS (→ S/N A917E01564G)	5-10
LINES AND ATTACHING PARTS - H800HD, H900HD, H970HDS, H1050HDS (S/N A917E01565G →)	5-14
OUTPUT SHAFT	5-46
PUMP DRIVE	5-20
REGULATOR VALVE AND HYDRAULIC PUMP ARRANGEMENT	5-48
REMOTE FILTER AND ADAPTOR	5-62
REVERSE AND SECOND CLUTCH SHAFT	5-32
SPEED SENSORS	5-28
THIRD SPEED CLUTCH SHAFT	5-40
THIRD SPEED GEARS	5-39
TORQUE CONVERTER AND DRIVE PLATE	5-50
TORQUE CONVERTER HOUSING	5-52
TURBINE SHAFT, STATOR SUPPORT, AND OIL BAFFLE	5-24
UNIVERSAL SHAFT	5-64
TRANSMISSION CONTROLLER AND SHIFT LEVER	4-12
TURBOCHARGER	
→ S/N A917E01548F	2-44
S/N A917E01549F →	2-48
TURBOCHARGER PLUMBING	2-50
V	
VALVE COVER	2-10
VIBRATION DAMPER	2-79
W	
WATER COOLED TURBOCHARGER	12-2
WATER PUMP	
→ S/N A917E01548F	2-66
S/N A917E01549F →	2-68
WINDOW WIPER SYSTEM	
REAR AND ROOF WIPER KITS - AND FRONT WIPER OPTIONS	1-46
WASHER BOTTLE KIT	1-44
WIRE HARNESS	
ARMREST - CLOSED CAB	4-158
CAB LIGHT	4-150
CAB SIDE CONSOLE - SHEET 1 OF 3 (S/N A917E01502D ↔ 2/2008)	4-66
CAB SIDE CONSOLE - SHEET 2 OF 3 (S/N A917E01502D ↔ 2/2008)	4-70
CAB SIDE CONSOLE - SHEET 3 OF 3 (S/N A917E01502D ↔ 2/2008)	4-74
CAB SIDE CONSOLE - SHEET 1 OF 3 (2/2008 ↔ 3/2010)	4-76
CAB SIDE CONSOLE - SHEET 2 OF 3 (2/2008 ↔ 3/2010)	4-80
CAB SIDE CONSOLE - SHEET 3 OF 3 (2/2008 ↔ 3/2010)	4-84
CAB SIDE CONSOLE - SHEET 1 OF 3 (3/2010 →)	4-86
CAB SIDE CONSOLE - SHEET 2 OF 3 (3/2010 →)	4-90
CAB SIDE CONSOLE - SHEET 3 OF 3 (3/2010 →)	4-94
CAB, CALIBRATION SWITCH	4-96
CAB, SIDE CONSOLE, SHEET 1 OF 3 (→ S/N A917E01501D)	4-56
CAB, SIDE CONSOLE, SHEET 2 OF 3 (→ S/N A917E01501D)	4-60

TABLE OF CONTENTS (continued)

DESCRIPTION	PAGE
CAB, SIDE CONSOLE, SHEET 3 OF 3 (→ S/N A917E01501D)	4-64
CARRIAGE - STANDARD	4-169
CARRIAGE - SIDE-SHIFT	4-170
CHASSIS, SHEET 1 OF 2 - H1050HD (→ S/N A917E01501D)	4-98
CHASSIS, SHEET 1 OF 2 - H1050HD (S/N A917E01502D ↔ S/N A917E01548F)	4-106
CHASSIS, SHEET 1 OF 2 - H1050HD (S/N A917E01549F →)	4-114
CHASSIS, SHEET 1 OF 2 - H800HD, H900HD, H970HDS, H1050HDS (→ S/N A917E01548F)	4-122
CHASSIS, SHEET 1 OF 2 - H800HD, H900HD, H970HDS, H1050HDS (S/N A917E01549F →)	4-130
CHASSIS, SHEET 2 OF 2 - H1050HD (→ S/N A917E01501D)	4-102
CHASSIS, SHEET 2 OF 2 - H1050HD (S/N A917E01502D ↔ S/N A917E01548F)	4-110
CHASSIS, SHEET 2 OF 2 - H1050HD (S/N A917E01549F →)	4-118
CHASSIS, SHEET 2 OF 2 - H800HD, H900HD, H970HDS, H1050HDS (→ S/N A917E01548F)	4-126
CHASSIS, SHEET 2 OF 2 - H800HD, H900HD, H970HDS, H1050HDS (S/N A917E01549F →)	4-134
CLOSED CAB (→ S/N A917E01501D)	4-142
CLOSED CAB (S/N A917E01502D →)	4-146
ENGINE COMPARTMENT	4-168
FRONT LIGHTS	4-177
FRONT LIGHTS - ALTERNATE PART	4-178
HYDRAULIC LEVERS SWITCHES	4-180
HYDRAULIC RELAYS	4-162
LIGHT SWITCH	4-167
MAST	4-141
POWERED CAB TILT	4-172
POWERTRAIN	4-138
REAR	4-171
REAR WIPER EXTENSION	4-149
STAIR LIGHT	4-166
STEERING COLUMN	4-152
UNDERFLOOR	4-154
WINDOW WASH PUMPS	4-176
WIRING ACCESSORIES	
ELECTRONIC CONTROL MODULE	4-28
WORK LIGHTS	
HALOGEN AND HID	11-12

ABBREVIATIONS QUICK REFERENCE SHEET

Listed below are abbreviations used in parts manuals to denote the following expressions:

TERM	DEFINITION	TERM	DEFINITION
Amp	Amperes	FRE	Freezer Environment
AR	As Required	in.	inches
BDI	Battery Discharge Indicators	LPG	Liquefied Petroleum Gas
BWI	Brush Wear Indicator	MAP	Manifold Absolute Pressure
CE	Communicator End	mm	millimeters
CRE	Corrosive Environment	MSTS	Microprocessor Spark Timing System
D/B	Date Break	NPT	National Pipe Threads
dbA	Decibel "A" Scale	O/S	Oversize
DE	Drive End	PTO	Power Take Off
ECH	Empty Container Handler	RPM	Revolutions per Minute
ECH-3	Empty Container Handler - 3 High Stacking	S/N	Serial Number
ECH-4	Empty Container Handler - 4 High Stacking	TMM	Truck Management Module
ECH-5	Empty Container Handler - 5 High Stacking	UL Type D	Diesel-Powered Safety Rating
ECH-6	Empty Container Handler - 6 High Stacking	UL Type DS	Diesel-Powered Safety Rating
ECH-7	Empty Container Handler - 7 High Stacking	UL Type E	Battery-Powered Safety Rating
ECM	Electronic Control Module	UL Type EE	Battery-Powered Safety Rating
ECN	Engineering Change Notice	UL Type ES	Battery-Powered Safety Rating
EEPROM	Electrically Erasable Programmable Read Only Memory	UL Type G	Gasoline-Powered Safety Rating
EPA	US Environmental Protection Agency	UL Type GS	Gasoline-Powered Safety Rating
EPROM	Electrically Programmable Read Only Memory	UL Type LP	Gas-Powered Safety Rating
		UL Type LPS	LP Gas-Powered Safety Rating
		U/S	Undersize
		UL	Underwriters Laboratory
		V	Volts

HOW TO USE THE ILLUSTRATED PARTS MANUAL

This parts manual describes and illustrates assemblies, subassemblies, and detail parts needed for service replacement.

The different constructions are indicated by keys and footnotes. The callouts correspond to descriptions found on the next page.

HYSTER UNIT CODE D001 NORTH AMERICA 06/2001

TABLE OF CONTENTS

DESCRIPTION	PAGE
AIR INTAKE AND FILTER DIESEL (⇒ D/B 11/98)	3-22
AIR INTAKE AND FILTER DIESEL (D/B 11/96 ⇒)	
AIR INTAKE AND FILTER GASOLINE AND LPG	
ALTERNATOR GASOLINE, LPG, AND DIESEL	
ALTERNATOR TYPES GS, LPS, AND DS	
AUXILIARY FUNCTION TUBE TWO AND THREE STAGE FULL F	

SECTION 13 NUMERICAL INDEX

PART NO.	PAGE NO.	ITEM NO.	PART NO.	PAGE NO.	ITEM NO.	PART NO.	PAGE NO.	ITEM NO.	PART NO.	PAGE NO.	ITEM NO.
142	3-4	19	10-13	25		11-27	29	12-31	12		
12445	3-32	19	10-17	6		11-31	25	16719	3-36	5	
	3-34	1	10-27	11		11-32	37	16751	3-16	27	
			11	11		9-7	9	16849	3-34	21	
			12	6	16485	8-4	29		3-38	20	
			13	13		8-4	45	16863	3-28	17	
			14	6		8-8	34	16865	3-6	18	
			17	17		9-7	19		4-27	41	
			19	10		9-11	9	16882	9-7	30	
			23	46		9-11	17		9-11	27	
			27	46		10-9	21		10-10	36	
			28	14		10-9	28		10-13	32	
			29	14		10-13	16		11-7	24	
			30	14		11-7	19		11-9	17	

SECTIONS

- 1
- 2
- 3
- 4
- 5 BRAKE/ACC
- 6
- 7 MAST-TWO STAG
- 8 MAST-THREE ST
- 9 MAST-TWO ST
- 10
- 11

TRANSMISSION HOUSING ⇒ S/N D001H-2628

KEY:
A: Diesel
B: Gasoline and LPG

ITEM	PART NO.	DESCRIPTION	QTY	
			A	B
1	202547	Transmission	1	1
2	2023329	Transmission	1	1
3	2021670	Case	2	2
4	2023418	Bearing Cap	4	4
5	296429	Washer	4	4
6	293947	Bolt	1	1
7	2021390	Cover	2	2
8	1371656	Colter Pin	4	4
9	2021915	O-Ring	1	1
10	2021329	Plug	4	4
11	2021675	Housing	22	22
12	2021336	Pin	39	39
13	287860	Lockwasher	1	1
14	292682	Hydraulic Pump	1	1
15	2021345	⇒ Figure 5-3	1	1
16	214364	Gasket	8	8
17	296418	Bolt	1	1
18	2021388	Washer	1	1
19	2021389	Temperature Switch	1	1
20	2021383	Breather	9	9
21	292515	Dipstick	9	9
22	136692	Bolt	2	2
23	292527	Nut	3	3
24	292531	Bolt	3	2
25	292583	Capscrew	4	4
26	293637	Lockwasher	4	4
	296420	Bolt	4	4
	296420	Washer	1	1
	996403	Transmission Kit (Includes Item 7)	1	1
	996405	Transmission Kit (Includes Item 14)	1	1

This Parts Manual is divided into 11 major sections which are listed above. Quick be made by placing the right thumb on the tab of the desired section, bending the pages to the corresponding tab.

©Copy Right Date HYSTER COMPANY See Service Manual for service procedures. 5-15

HP990004

HOW TO FIND THE DESIRED PART NUMBER

WHEN THE PART NUMBER AND THE NEXT HIGHER ASSEMBLY IS NOT KNOWN:

1. Determine the function and application of the part required. Turn to the Sections Page. Choose the general area of reference most likely to include the part.
2. Turn to the section you chose. Use the Section Table of Contents to determine the assembly which would normally contain the part required. Then locate the part on the assembly breakdown page.

WHEN THE PART NUMBER IS NOT KNOWN AND THE NEXT HIGHER ASSEMBLY IS KNOWN:

3. Determine the assembly the required part is used on. Turn to the Table of Contents (Page i).
4. Locate the assembly the required part is used on and turn to the page indicated for that assembly. Then locate the part on the assembly breakdown page.

WHEN THE PART NUMBER IS KNOWN:

5. Use the Numerical Index (Page 13-1) to find the part number. Turn to the page listed and locate the part as indicated by the item number.

GENERAL:

The assembly breakdowns include part numbers, descriptions, quantities required, keys and footnotes to help in selecting correct parts.

6. Parts Supersession Information. Part numbers that have this history will be displayed in the parts list in the order that they were superseded (from oldest to newest). The superseded part numbers will be shown with a line through them.

Five periods in the PART NO. column (.) indicate that the part is either *Not Serviced Separately* or there is a reference to another figure. A figure reference is denoted by a pointing hand followed by a figure number in the DESCRIPTION column (☞ Figure 10)

7. Keys are used to show two or more similar assemblies, RH and LH assembly parts, etc. Select the appropriate key, "A", "B", "C", "D", or "E" and the corresponding quantity column to find the required parts. Two periods in the QTY column (..) indicate that the part is not used for that assembly.
8. Indented descriptions under the DESCRIPTION column are used to indicate assemblies and

subparts of assemblies. In the example on the previous page, *BEARING CAP* (Item 2) is a subpart of the major assembly *CASE*.

9. Quantities shown are for one assembly. The quantities of the subpart *BEARING CAP* are indicated as two and two. This means two per *CASE* assembly.
10. Serial number breaks identify the most current parts information and are shown as follows:
 - **S/N D001H2628**
Indicates last serial number affected.
 - S/N D001H2629** →
Indicates the first serial number affected.
 - S/N D001H1553** ↔ **S/N D001H3291**
Indicates a range of serial numbers affected.

ECN numbers for pending serial numbers are shown to allow for the inclusion of the most current parts information and are identified as follows:

→ **S/N Pending Per ECN 63243**

Indicates a pending serial number for last unit affected.

S/N Pending Per ECN 63243 →

Indicates a pending serial number for first unit affected.

Date breaks are used to indicate when a change occurred but a subsequent serial number break was not recorded. This is an arbitrary date usually based on the ECN release and are identified as follows:

→ **D/B 3/00**

Indicates that a change occurred sometime within that month for the item affected.

D/B 3/00 →

Indicates that a change occurred sometime within that month for the item affected.

D/B 3/00 ↔ **D/B 4/00**

Indicates a range of production dates of the item affected.

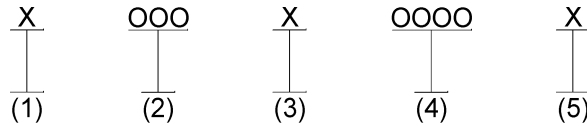
Contact your local dealer for Hyster lift trucks for serial number information for items with a ECN or a date break.

ORDERING PARTS:

When ordering replacement parts, give the unit serial number, part number, name of part and quantity required.

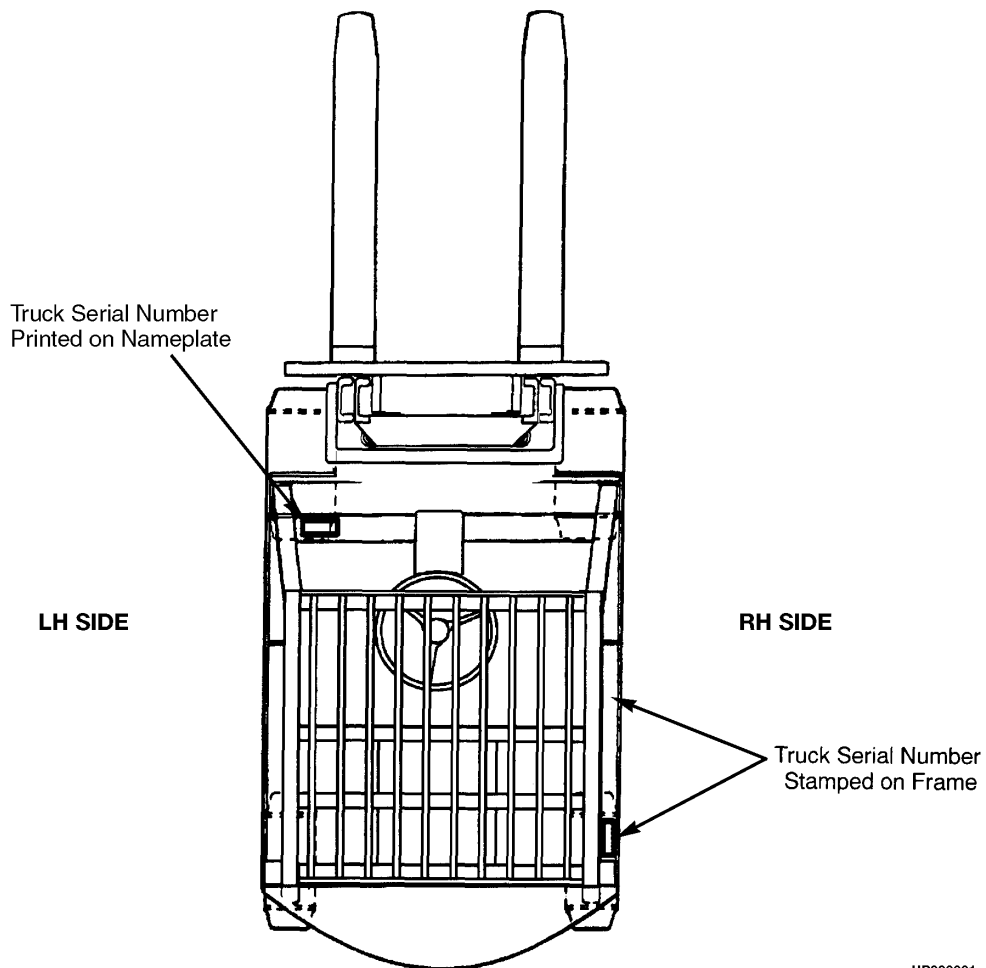
For any further information on parts, service, or ordering, consult your local dealer for Hyster lift trucks.

IDENTIFICATION OF TRUCK SERIAL NUMBERS



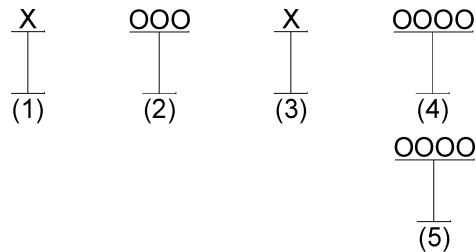
- (1) and (2) The first letter and three numbers indicate the truck unit code.
- (3) The second letter indicates the plant of manufacture.
- (4) The four or five digit number indicates the production sequence number of the truck.
- (5) The final letter indicates the year of manufacture starting with "A" in 1957, 1980, and 2003.
The letters "I", "O", and "Q" will not be used.

For pending serial numbers contact your local dealer for Hyster lift trucks.



HP990001

Parts referred to in this book as right or left hand parts are in accordance with the illustration above.

IDENTIFICATION OF MAST SERIAL NUMBERS

- (1) and (2) The first letter and number indicates the mast unit code.
- (3) The second letter indicates the plant of manufacture.
- (4) The four or five digit number indicates the production sequence number of the mast.
- (5) Carriage travel in millimeters stamped just below the serial number.

Mast Group identification consists of mast unit code (1) and (2) plus carriage travel (5).

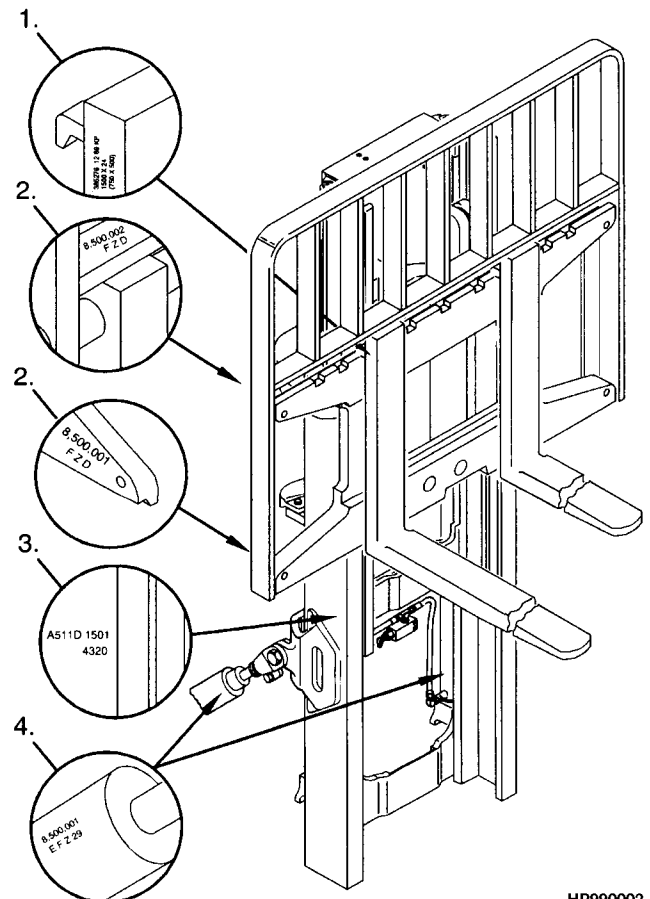
For pending production sequence numbers contact your local dealer for Hyster lift trucks.

LIFT EQUIPMENT IDENTIFICATION

1. Fork part number, capacity rating, plant code letter, and date of manufacture are stamped approximately six inches below the top of most forks.
2. The carriage group number is stamped on the right hand side of the top crossmember (pin type) or on the back of the right hand end of the bottom crossmember (hook type). A date code has two letters in line with or below the carriage group number.
3. The mast identification number has a unit code, a letter indicating the plant of manufacture, and a serial number. Underneath the production sequence number is a four digit number that indicates the carriage travel in millimeters.
4. Tilt and lift cylinder group numbers are stamped on the cylinder shell.

Always refer to the group, serial, or part number when ordering service parts.

Modification of masts and carriages by SPED (Special Products Engineering Department) are identified by a model prefix code beginning with the letter "S". contact your dealer for Hyster lift trucks for information on these assemblies.



HP990002